

Catalogue No.

APL / 1021

## 2/2 Way Pilot Operated Diaphragm Type "ISD" Solenoid Valves For Air / Water / Gas / Oil / Chemical



"aira" offers HIGH FLOW Diaphragm type solenoid valves, are specially engineered in the construction of Investment Cast CF8 / CF8M / CF3M body with Electro plating for multiple and long lasting operations.

### Types:

1. Normally close - Energised to Open 2. Normally Open - Energised to Close

Application: Air, Water, Light Oil, Gas, Light Chemical

Size Range : 1/4" To 6" Screwed / Flanged / Triclover

"aira" solenoid valves are the best for the inflammable media / environment. The Flameproof / Explosion proof solenoid coils are available in such application.

### Technical Specifications :

Body & Cover	ASTM A 351Gr.CF8 / CF8M / CF3M
Seals / Diaphragm	Nitrile / Neoprene (optional - silicon, viton & other)
Pressure Range	0.5 to 10 bar
Temperature Range	-5°C to 85° C (On request upto 95°C)
Coil Voltage	12V, 24V, 48V, 110V, 230V, AC / DC
Coil Insulation	'F' Class
Coil Rating	Continuous Rated



### Applications :

Textile Processing Machinery, Chemical Plants, Water Treatment, Sugar Machinery, Cement Machinery, Pumps, Irrigation, Combustion Equipment, Heat Exchanger, Air Dryer, Pollution Controls, Laundry Equipments and where dependable ON/OFF type control is required.

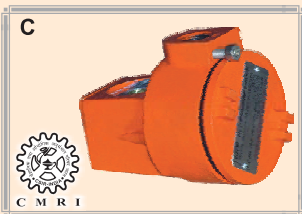
### Solenoid Coil



(for General)

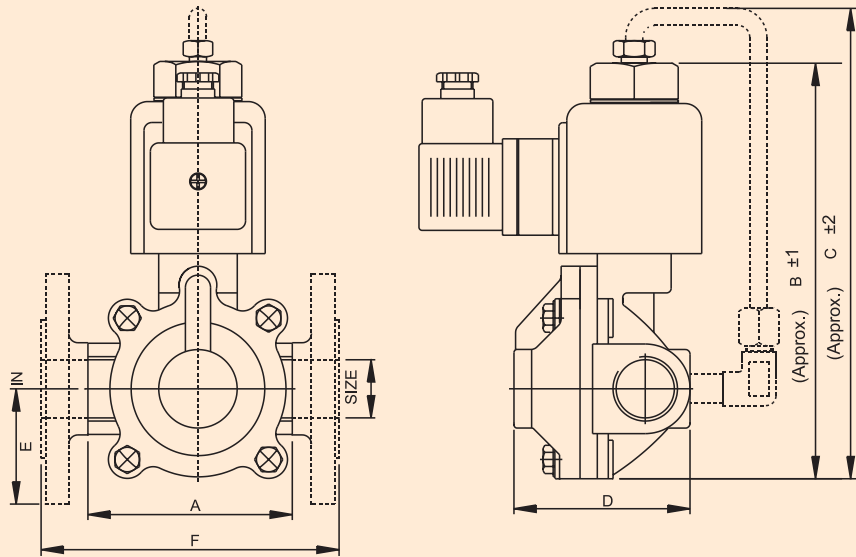


IP - 65 & IS:2147  
(for Weather Proof)



Explosion & flame proof solenoid available on request.

(As per IS : 2148 Standard approved by Central Mining Research Institute - CMRI)



### Dimensions :

(All dimensions are in MM)

Valve Model	Size		Flow Factor Kv m <sup>3</sup> /hr	A Screwed	B (Approx.)	C (Approx.)	D	E	F Flanged	Weight (Approx)	
	MM	Inch								S/E	F/E
ISD - 6	6	¼	2.5	65	128	170	56	-	130	0.825	1.500
ISD - 10	10	3/8	2.5	65	128	170	56	-	130	0.800	1.450
ISD - 15	15	1/2	3.5	65	128	170	56	44.5	130	0.760	1.400
ISD - 20	20	3/4	5.0	80	136	180	74	49.5	150	1.100	1.880
ISD - 25	25	1	11.0	95	152	200	80	54	160	1.500	2.720
ISD - 32	32	1¼	13.0	118	167	212	105	58.5	200	2.340	6.160
ISD - 40	40	1½	20.0	118	167	212	105	63.5	200	2.250	6.160
ISD - 50	50	2	38.0	137	190	234	120	76.5	230	3.350	6.500
ISD - 65	65	2½	67.6	172	230	298	143	89	290	4.030	9.350
ISD - 80	80	3	97.6	195	250	318	156	95	310	5.970	12.200
ISD - 100	100	4	-	300	250	318	156	114	350	13.500	22.850
ISD - 150	150	6	-	344	-	-	-	-	462.5	-	-